

# ImmotecNavigator



## Video/Audio Door Intercom<sup>2</sup> - Wire Technology



# 07' | Product



VIDEO / AUDIO INTERCOM

Model No.: IM-6200

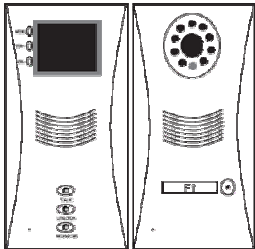
## AUDIO / VIDEO DOOR INTERCOM SYSTEM

- 2.5" TFT Color Answering Unit
- Hard-Wired Outdoor Unit

Hands-Free

# Simplicity

## IM-6200



9 Red LEDs for Night Visibility

2-Wire Easy Installation

Remote Unlock

\*\* OSD (On screen Display)

Anti-Theft Alarm \*\*Optional

IP44 Waterproof for Outdoor Unit

Private Monitoring

Additional RJ-11 Plug

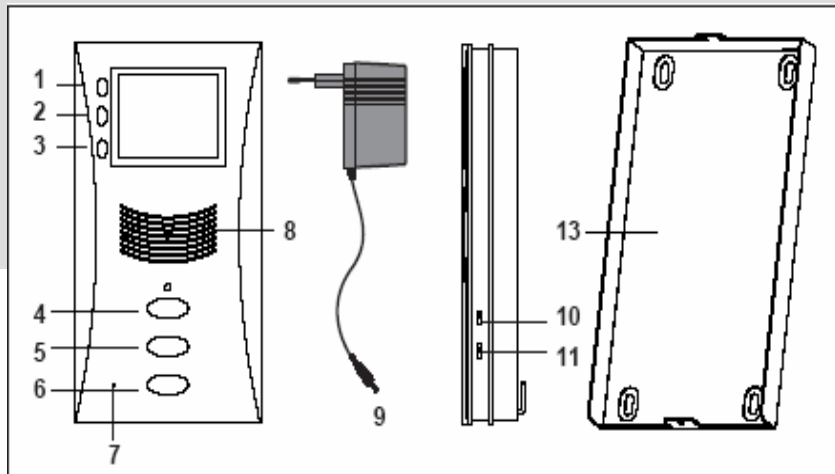
Effective Transmission 50 M



Available in White and Silver

# IM-6200

## Answering Unit



- 1. MENU button
- 2. VOL + button
- 3. VOL - button
- 4. TALK button
- 5. UNLOCK button
- 6. MONITOR button

- 7. Microphone
- 8. Speaker
- 9. 15V Adaptor
- 10. Ring Tones Switch (1, 2, 3)
- 11. Ring Tones Volume Switch (+, -)
- 12. Indoor Wall Bracket

### Technical Data

Specification:

	Outdoor Unit	Answering Unit
Operating voltage		15V DC w/ door open function
Communication System	Semiduplex	
Modulation System	Analog FM	Analog FM
Transmitting Frequency	5.5MHz	6.5MHz
Picture sensor	1/3" CMOS color 628x562 pixel (PAL)	2.5" TFT
Resolution		640 x 240
White LED	9 LED/ 1 CDS	
Lens	Lens F8.0mm (45°)	
Picture	Color	
Operating temperature	14 F* to 122 F* -10 C* to +50 C*	
Approval	CE/ R&TTE/ FCC	
Mass Approx. (W/O aerial)	326g	305g
Mass Approx. (W/O aerial)	180 x 104 x 37 (mm) L x W x H	180 x 104 x 37 (mm) L x W x H

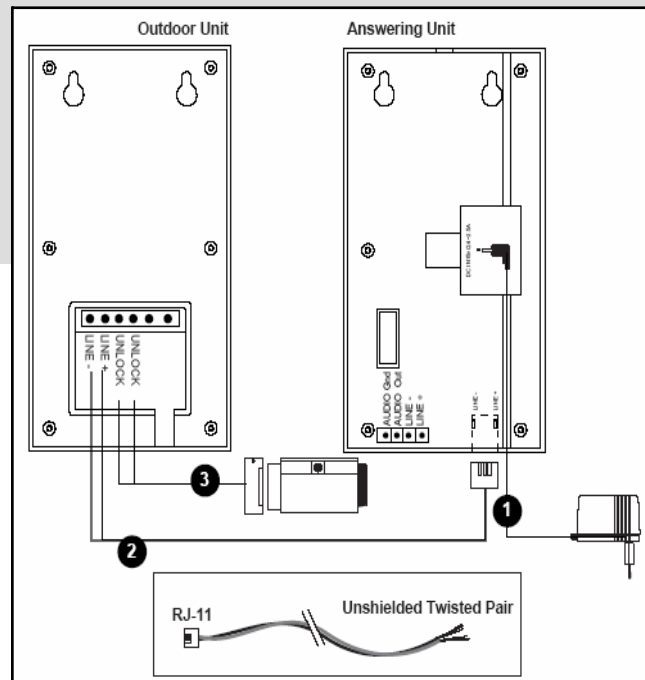
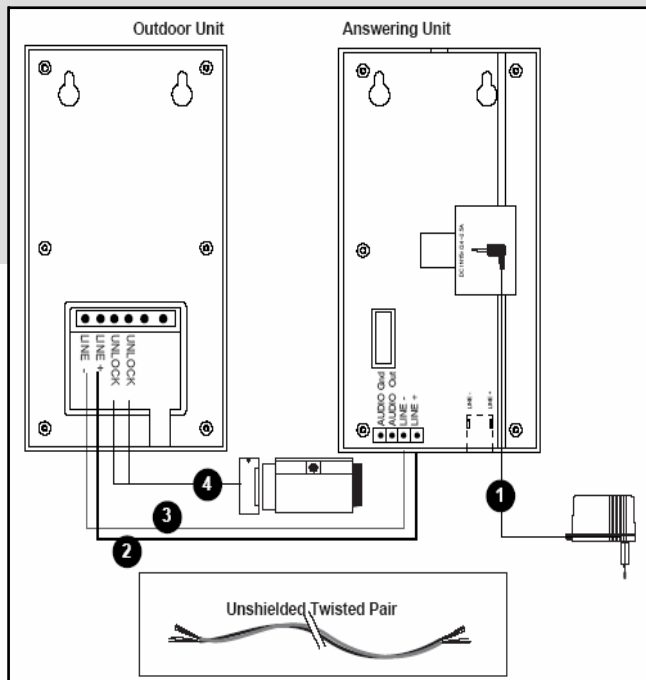
#### IM-6200 cable specification and transmission range:

The connection between the answering unit and the outdoor unit is made via a 2-wire cable and can be extended from the specification below:

Specification(cross section)	Component	Effective Transmission Range
0.75mm <sup>2</sup>	Copper	50m

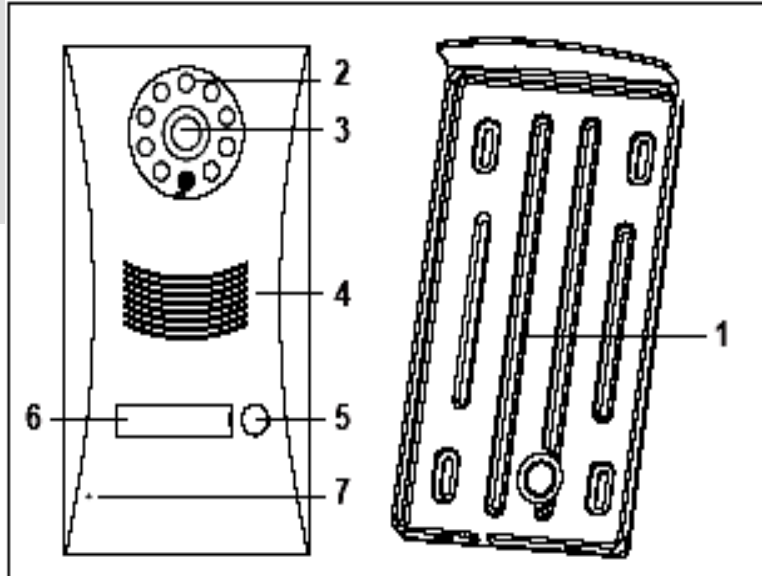
# IM-6200

## Connecting Device



**IM-6200**

Outdoor  
Unit



2-Wire Technology  
IP44 Waterproof  
LED Night Visibility

1. Plastic Mounting Bracket
2. 9 White LED
3. Camera lens
4. Speaker
5. Call Button
6. Name Plate
7. Microphone

[www.immotec.ca](http://www.immotec.ca)



immotec

Immotec Systems, Inc.  
415 Oakdale Rd, Suite 221  
Toronto, ON, M3N 1W7  
CANADA

Tel: 416-741-4555

Fax: 416-741-4556

E-mail: [Sales@immotec.ca](mailto:Sales@immotec.ca)