

ImmotecNavigator



Video/Audio Door Intercom² - Wire Technology



07` | Product

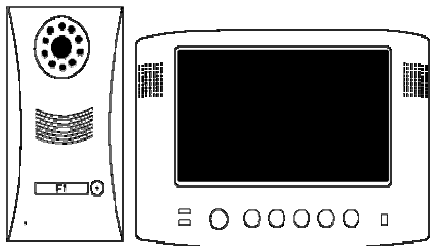


VIDEO / AUDIO INTERCOM

Hands-Free

Luxurious

IM-6700



9 Red LEDs for Night Visibility

A/V Output for External Player

Remote Unlock

** OSD (On screen Display)

Anti-Theft Alarm **Optional

IP44 Waterproof for Outdoor Unit

Private Monitoring

Only 3.45 in depth

Effective Transmission 50 M

Model No.: IM-6700

AUDIO / VIDEO DOOR INTERCOM SYSTEM

- 7" TFT Color Answering Unit

- Hard-Wired Outdoor Unit

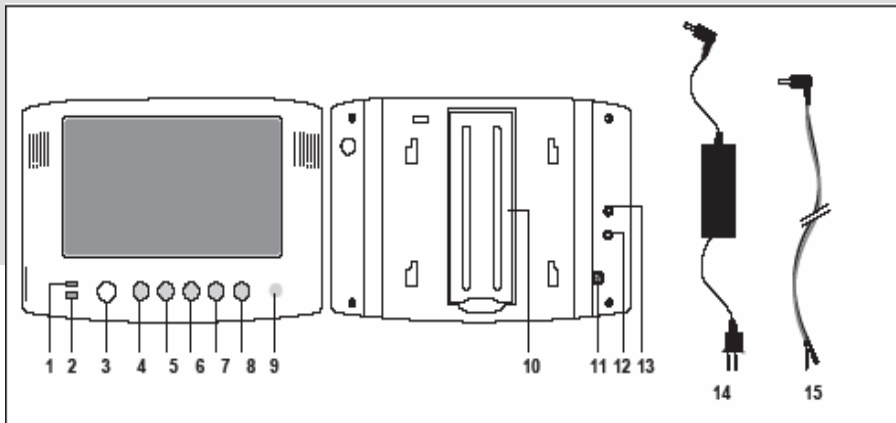


Available in White and Silver



IM-6700

Answering Unit



- | | |
|-------------------------------|------------------------------------|
| 1. Talk/Monitor LED indicator | 8. VOL+ button |
| 2. Power on LED indicator | 9. Microphone |
| 3. TALK Button | 10. Monitor Stand |
| 4. MONITOR button | 11. DC Power |
| 5. UNLOCK button | 12. Line (cable connector) |
| 6. MENU button | 13. A/V Output |
| 7. VOL - button | 14. 15V Adaptor |
| | 15. 20m Phonejack Connecting Cable |

Technical Data

Specification:

	Outdoor Unit	Answering Unit
Operating voltage		15V DC w/ door open function
Communication System	Semiduplex	
Modulation System	Analog FM	Analog FM
Transmitting Frequency	5.5MHz	6.5MHz
Picture sensor	1/3" CMOS color 628x562 pixel (PAL)	7" TFT
Resolution		480*234
White LED	9 LED/ 1 CDS	
Lens	Lens F.8mm (45°)	
Picture	Color	
Operating temperature	14°F to 122°F / -10°C to +50°C	
Approval	CE/ R&TTE/ FCC	
Mass Approx. (W/O aerial)	326g	665g
Mass Approx. (W/O aerial)	180 x 104 x 37 (mm) L x W x H	220 x 345 x 145 (mm) L x W x H

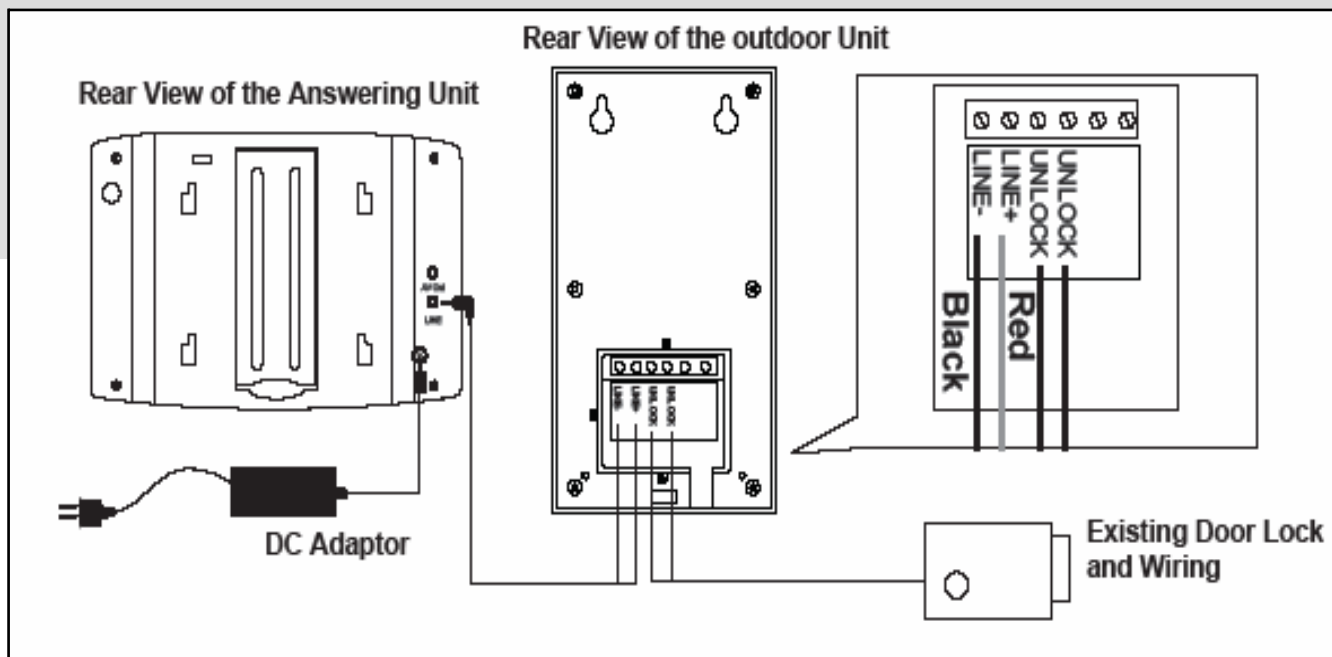
IM-6700 cable specification and transmission range:

The connection between the answering unit and the outdoor unit is made via a 2-wire cable and can be extended from the specification below:

Specification(cross section)	Component	Effective Transmission Range
0.75mm ²	Copper	50m

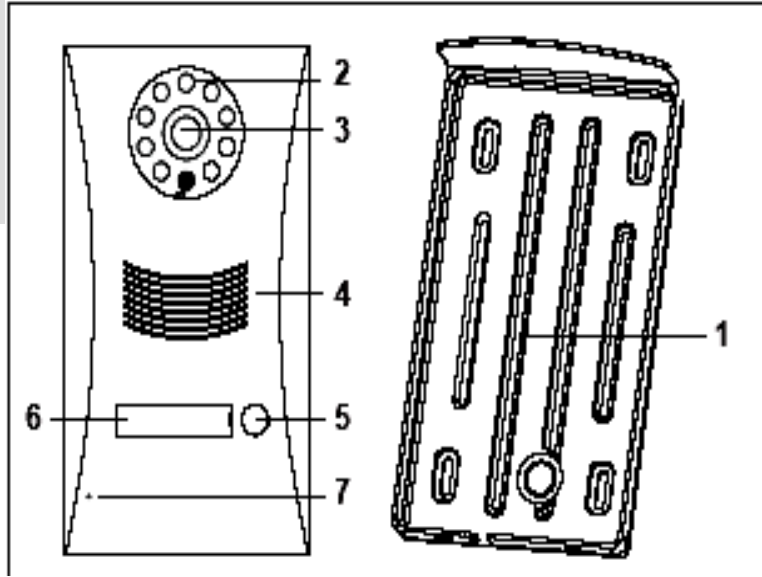
IM-6700

Connecting Device



IM-6700

Outdoor
Unit



2-Wire Technology
IP44 Waterproof
LED Night Visibility

1. Plastic Mounting Bracket
2. 9 White LED
3. Camera lens
4. Speaker
5. Call Button
6. Name Plate
7. Microphone

www.immotec.ca



immotec

Immotec Systems, Inc.
415 Oakdale Rd, Suite 221
Toronto, ON, M3N 1W7
CANADA

Tel: 416-741-4555

Fax: 416-741-4556

E-mail: Sales@immotec.ca