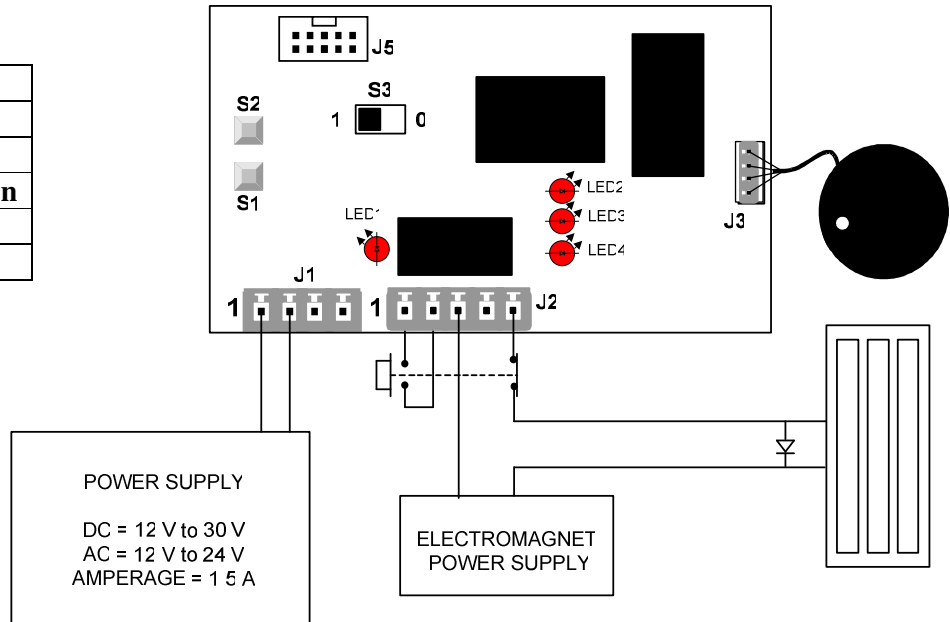


UGT

QUICK INSTALLATION

	J1	J2
1	12 V	Button
2	0 V	Button
3	RS485+	Common
4	RS485-	NO
5		NC



For the UGT's initialization, take with you the programmed configuration card. This card must be pre-programmed with the help of the "PRODOOR" (www.prodoor.org) software.

PROCEDURE

Reset of the unit control:

Set the S3 switch to position 1, then press both S2 and S1 until the hearing of 2 beeps.
Set the S3 switch back to position 0.

Programming:

Leave the S3 switch in position 0, then pass the configuration card in front of the reader.
The reader indicator turns green and then you must hear two beeps. The Site code, Zone number and the opening temporization are validated. Your UGT is now ready.

Optional:

You can program the opening temporization manually, as well as the zone number.

Opening temporization adjustment (Example shown for 15 seconds setup):

Leave the S3 switch in position 0, then press 5 times on S1 (unit of second) and 1 time on S2 (about ten seconds).
You must hear two beeps to take temporization into effect.

Zone number Adjustment (Example shown for zone 12):

Set the S3 switch to position 1, then press 2 times on S1 (unit of second) and 1 time on S2 (about ten seconds). You must hear two beeps to take the zone number into effect.
Set the S3 switch back to position 0.